

# JBC PLIERS

## for Electronics



Designed for SMT and standard electronics according to ESD safety regulations.

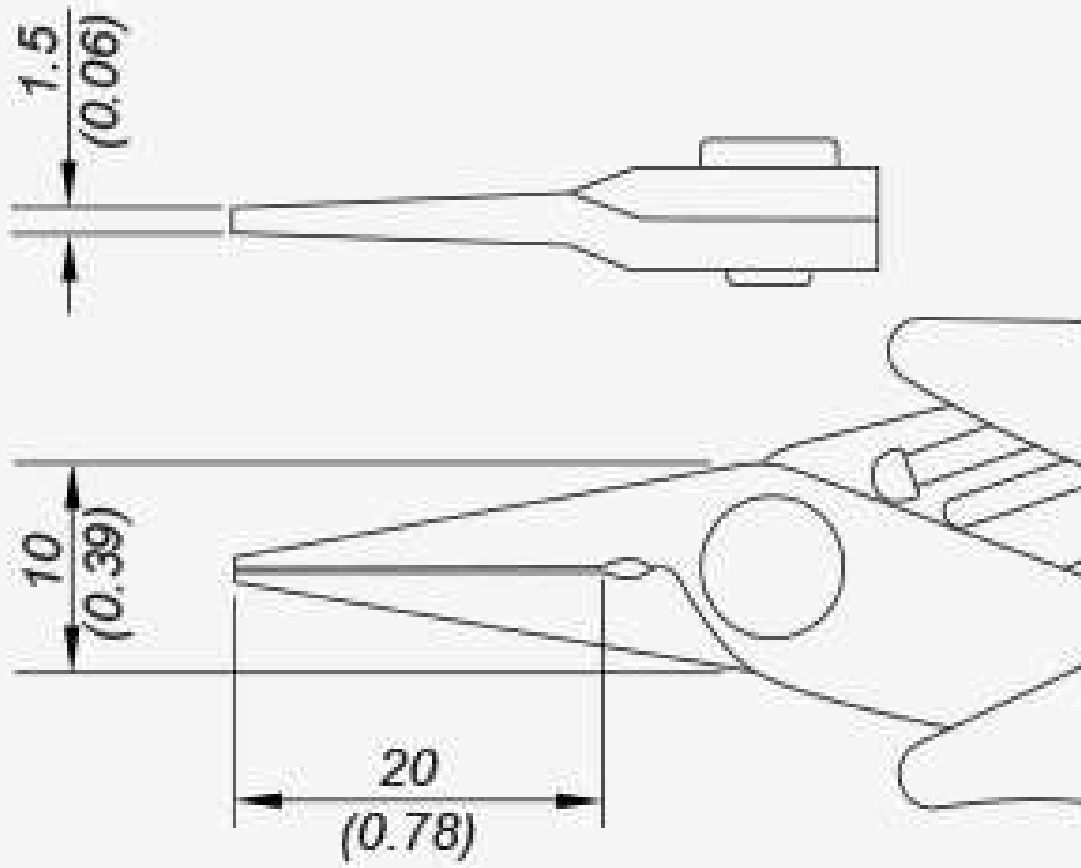
Suitable for a wide range of electronics assembly and repair applications.

With an **ergonomic design, soft grips and light weight.**

### PLR540

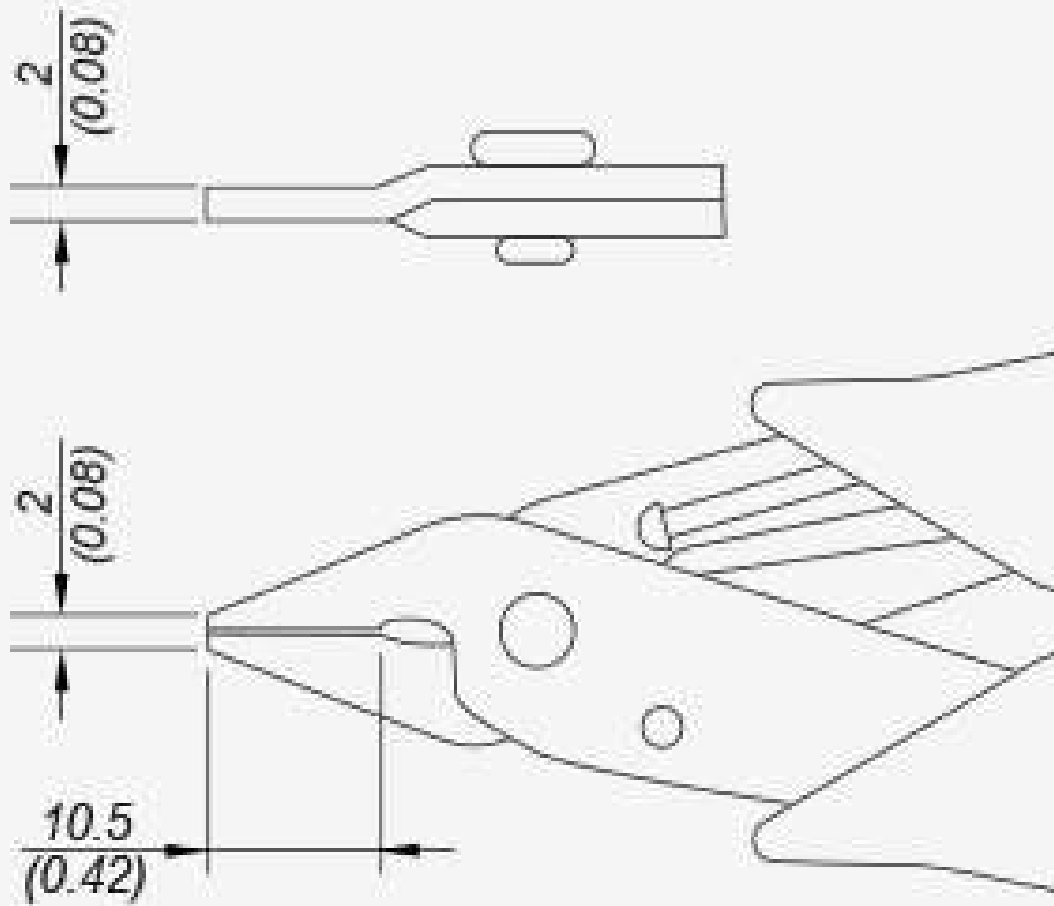
Fine Flat Tip Plier  
Length 138 mm / 5.43 in





**PLR740**  
Flat Tip Plier  
Length 127 mm / 5 in





$\frac{mm}{(in)}$

**PLR195**  
Cartridge Extractor Plier  
Length 138 mm / 5.43 in



