

# JBC CUTTERS

## for Electronics



Full line designed according to ESD safety regulations.

Suitable for a wide range of electronics assembly and repair applications. Specially designed for soft wires.

With an ergonomic design, soft grips and light weight which makes cutting easier.

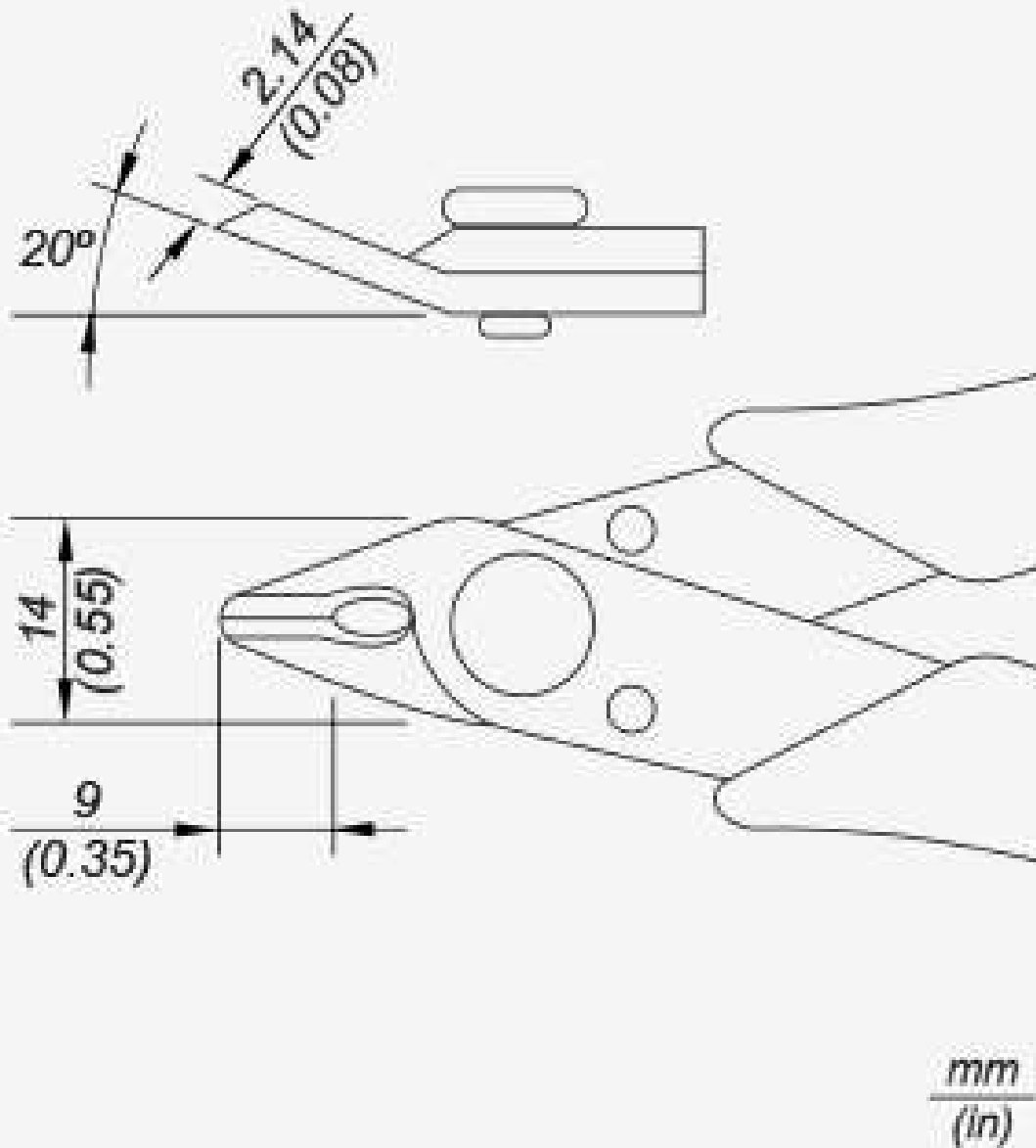
### SHR270

Side Cutter

up to  $\varnothing$  0.8 mm / 0.03 in

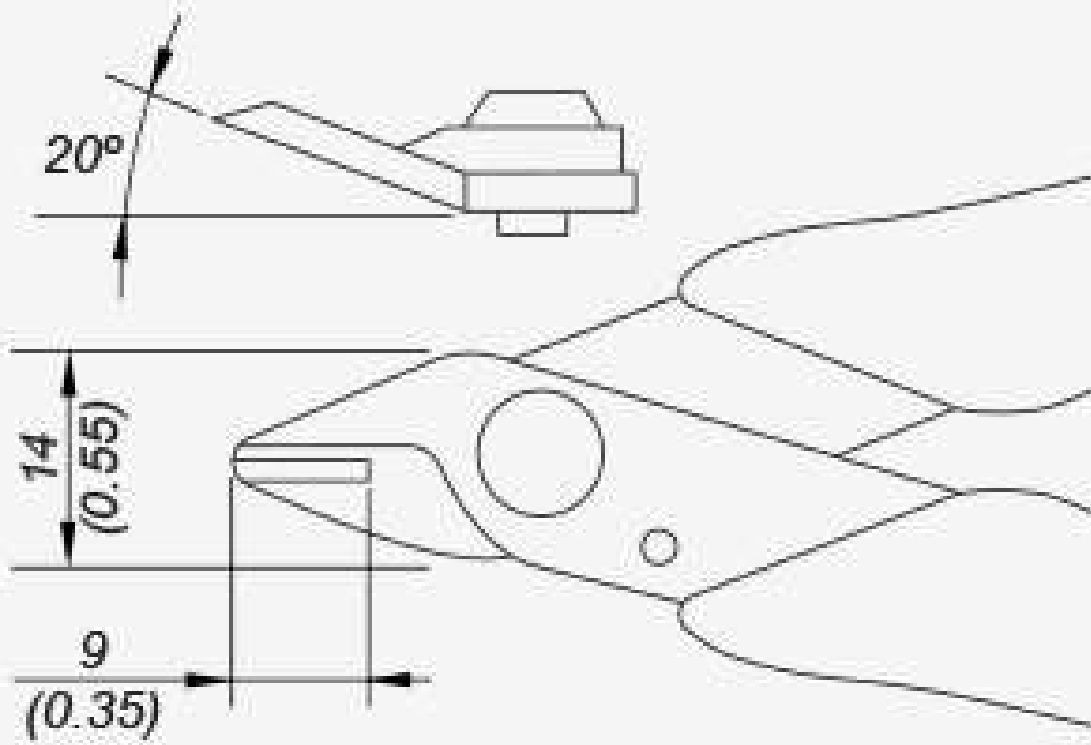
Length 130 mm / 5.12 in



**SHR140**

Extended life Side Cutter  
up to  $\varnothing 0.8$  mm / 0.03 in  
Length 130 mm / 5.12 in

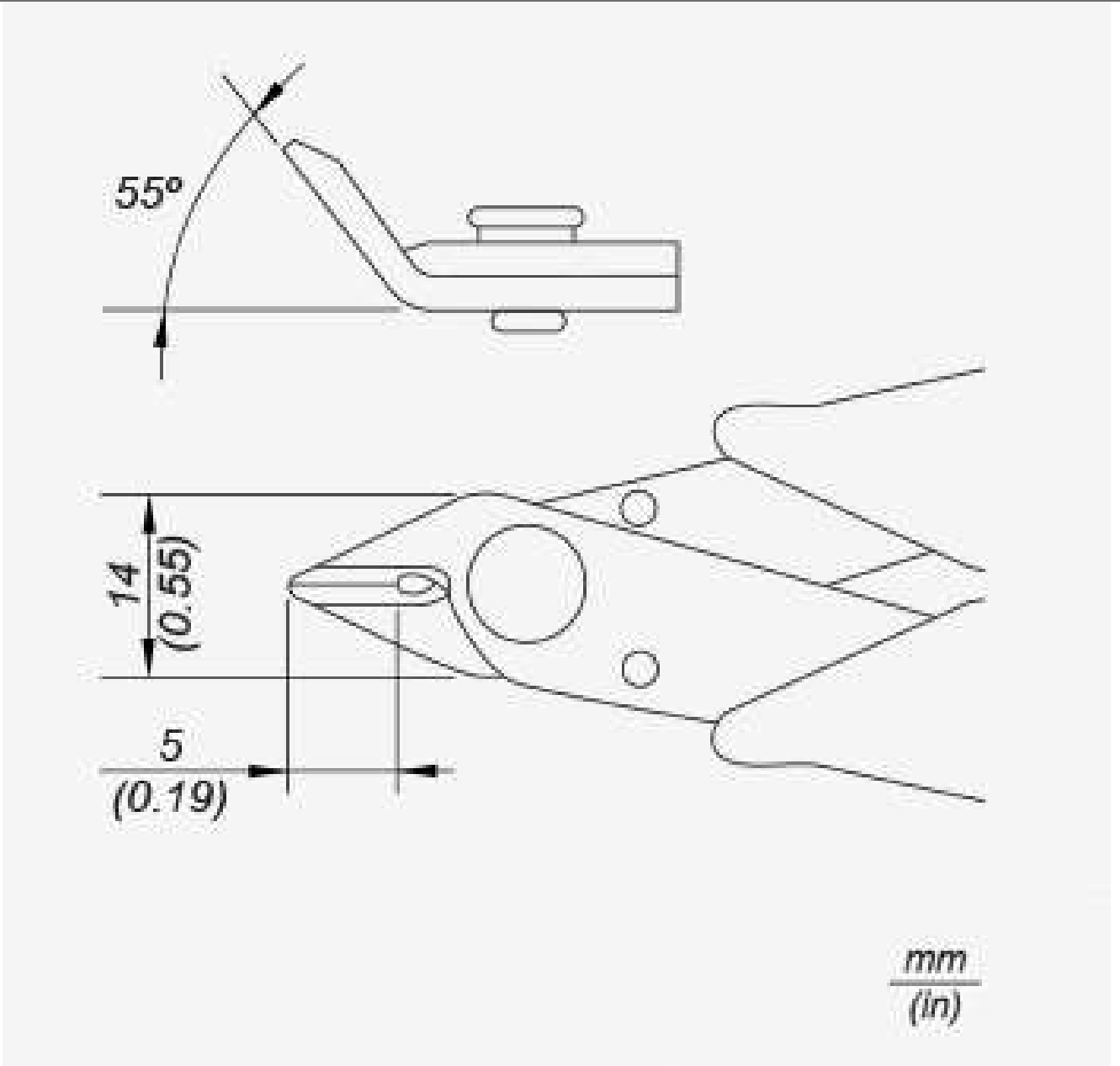




$\frac{mm}{(in)}$

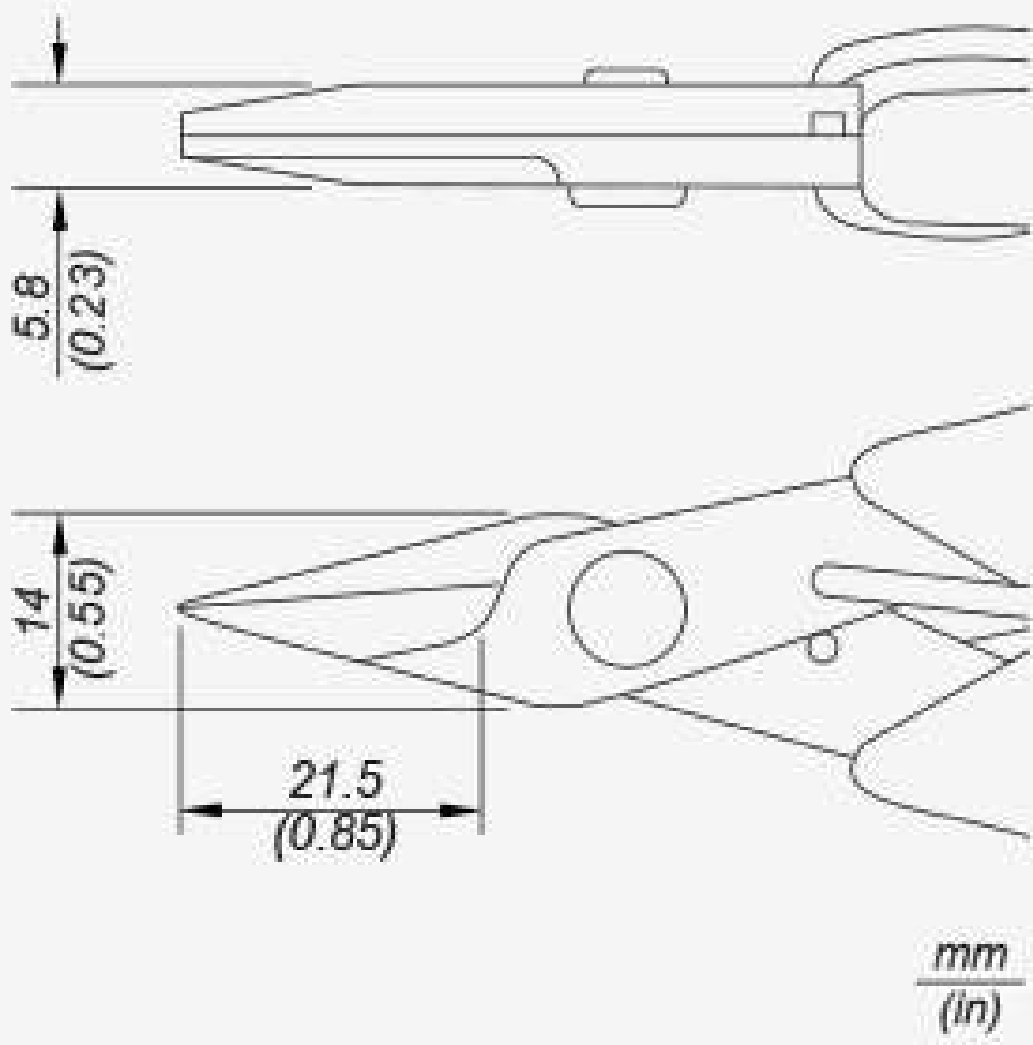
**SHR240**  
55° angle Cutter  
Length 127 mm / 5 in





**SHR180**  
high durability scissor  
Length 150 mm / 5.9 in



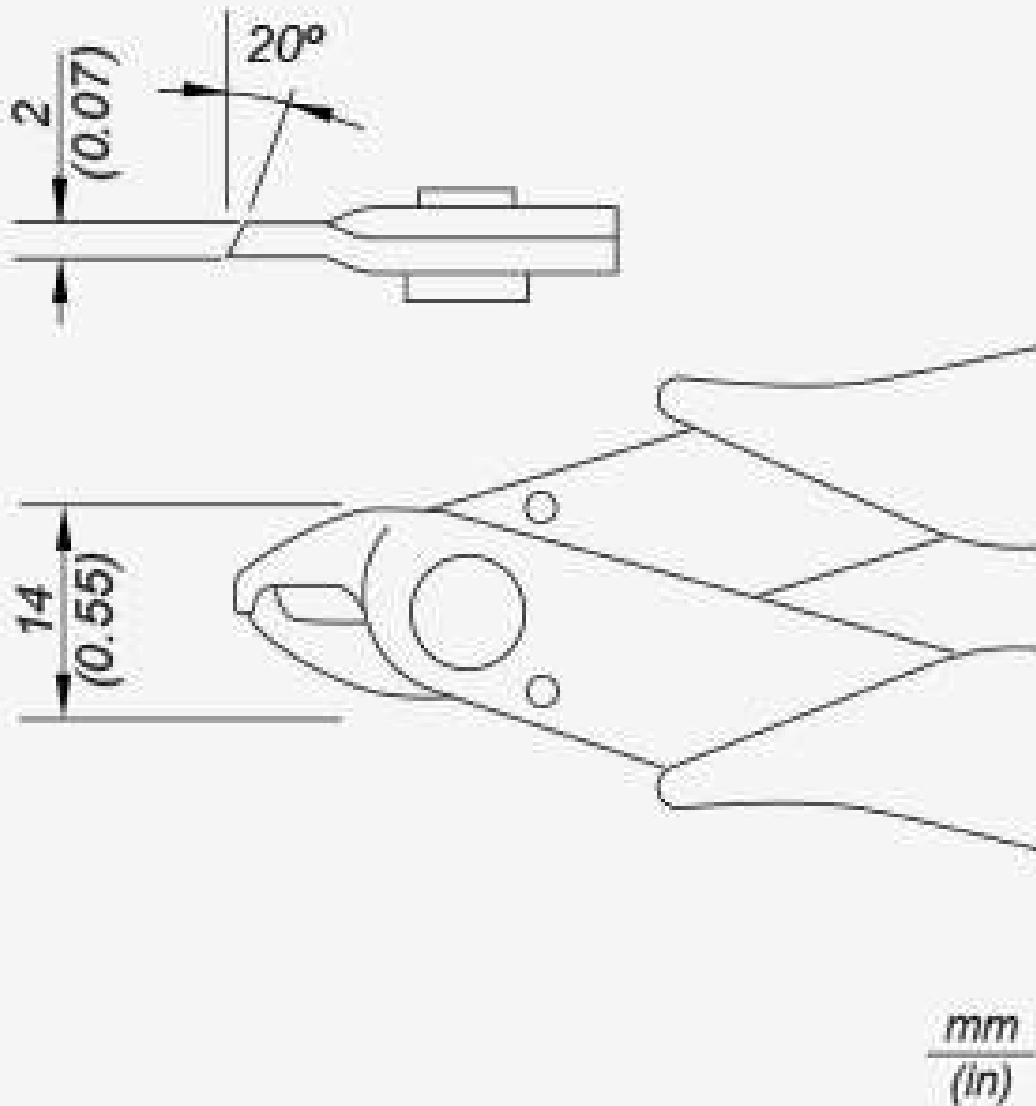


**SHR760**

Cutter & Crimping tool  
Length 124 mm / 4.88 in





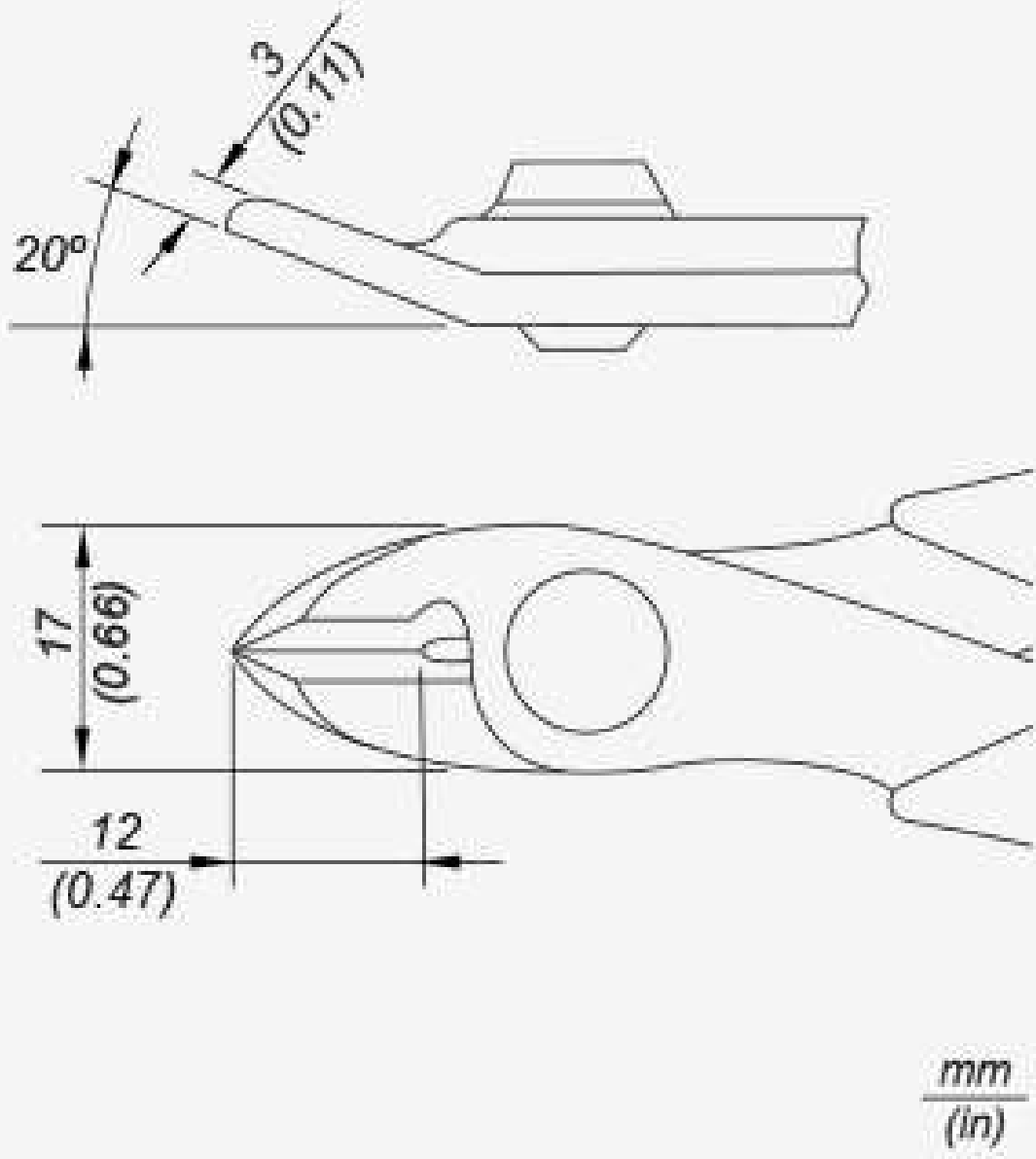
**SHR2175**

Side Cutter

up to Ø 1.6 mm / 0.06 in

Length 150 mm / 5.9 in





**SHR193**  
Hard Wire Cutter  
Length 134 mm / 5.27 in



