

JBC

www.jbctools.com

INSTRUCTION MANUAL



NASE

2-Tool Nano Rework Station

This manual corresponds to the following references:

- NASE-9C (100V)
- NASE-1C (120V)
- NASE-2C (230V)

Packing List

The following items are included:



Nano Control Unit 1 unit



Nano Handle 1 unit
Ref. NT115-A



Adjustable Nano Tweezers 1 unit
Ref. AN115-A



Power Cable 1 unit
Ref. 0024092 (100V)
0023715 (120V)
0023714 (230V)



Pedal..... 1 unit
Ref. P-405



Allen Key 1.5 mm 1 unit
Ref. 0009848



Ref. 0020952
includes:
Ref. C115-101 x1
C115-103 x1
C115-107 x1
C115-112 x1

Ref. 0020953
includes:
Ref. C115-105 x2
C115-113 x2

Cartridge dispenser Case 2 units
Ref. 0020952 / Ref. 0020953



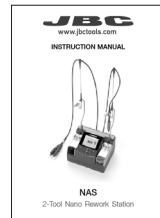
Brass Wool 1 unit
Ref. CL6210



Metal Brush 1 unit
Ref. CL2466

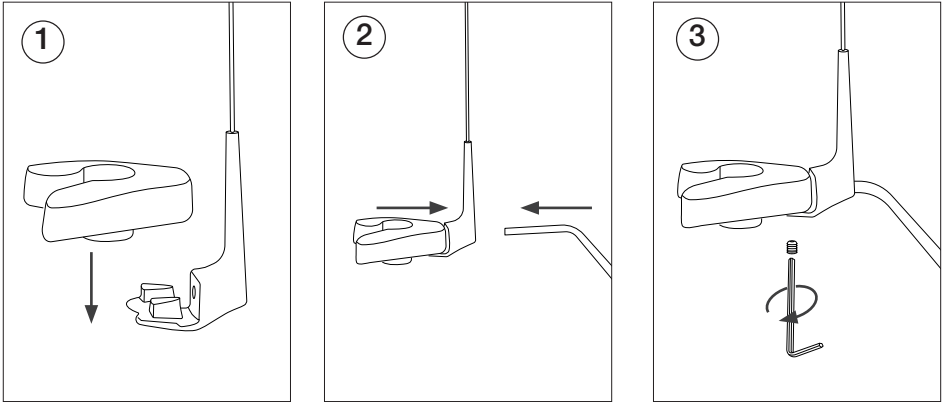


Cabel Collector and Stand 2 units
Ref. CC2002



Manual 1 unit
Ref. 0027139

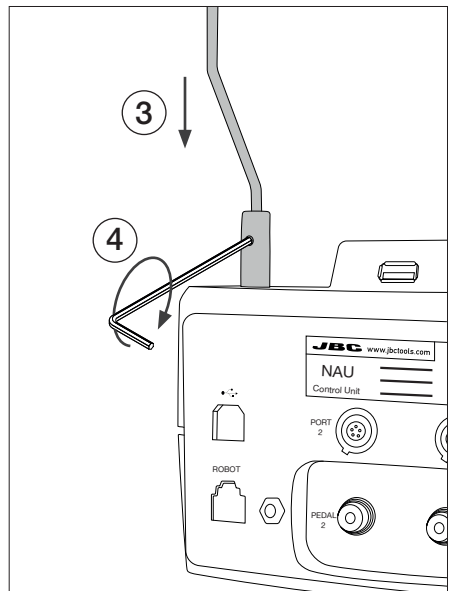
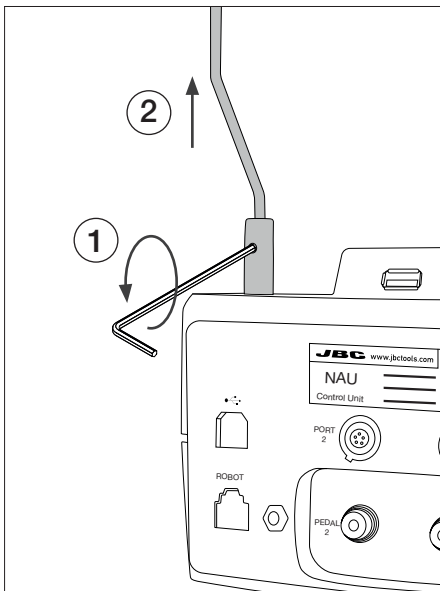
Tool Stand Assembly



Tool Stand Replacement

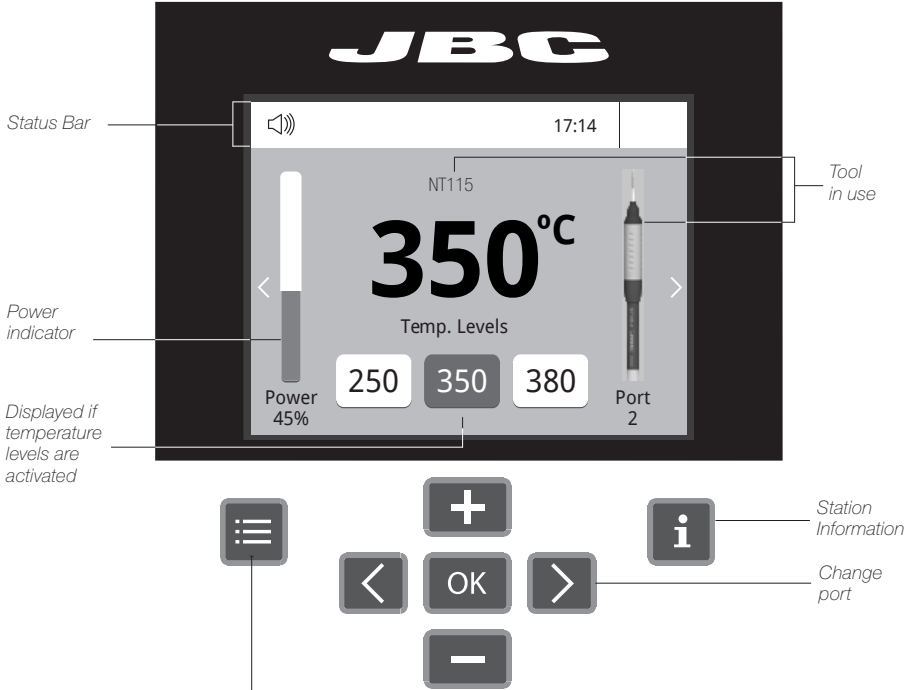
Loosen the screw (1) and withdraw the tool stand (2).

Insert the new tool stand (3) and tighten the screw (4).



Work Screen

NASE offers an **intuitive user interface** which provides **quick access** to station parameters.
Default PIN: 0105

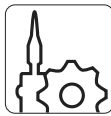


Menu Options



Set the station parameters

Station



Set the tool parameters

Tools



Display the hours worked in each cycle

Counters



Set the peripheral links with the station ports

Peripherals



It is possible to choose the language from a list.

Language



Restore station parameters to default values

Reset

Troubleshooting

Station troubleshooting available on the product page at www.jbctools.com

Advanced Functionalities



Graphics

It provides detailed graphics of tip temperature and power delivery in real time during solder joint formation for analysis purposes. This helps you decide how to adjust your process or which tip to use to obtain the best quality soldering.



Profiles

Designed to avoid thermal shock when soldering Ceramic Chip components like MLCC, this new and unique feature allows controlling the heating ramp up rate of the tool to gradually increase the temperature of the component through all the phases of the soldering process. Up to 25 fully configurable soldering profiles can be stored.



JBC Net

Get greater quality and control in your production. Manage your whole soldering process remotely in real time. For more information see www.jbctools.com/webmanager.html.



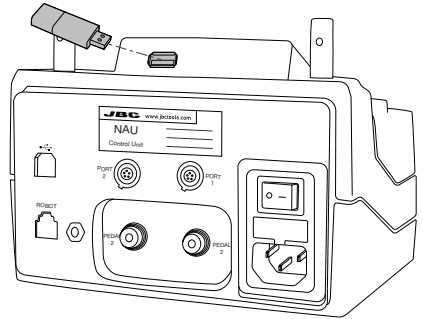
Files

Export graphics
Insert a USB flash drive into the USB-A connector to save your soldering process in csv format.



Update

Station update
Download the JBC Update File from www.jbctools.com/software.html
Insert the USB flash drive with the file downloaded to the station.



System Notifications

The following icons will be displayed on the screen's status bar.



USB flash drive is connected.



Station software update. Press INFO to start the process.



Station is controlled by a PC.



Warning. Press INFO for failure description.



Station is controlled by a robot. downloaded to the station.



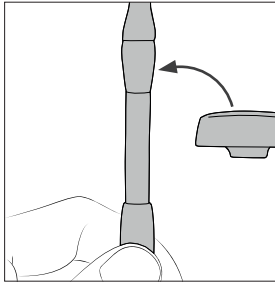
Error. Press INFO for failure description, the type of error and how to proceed.

Operation

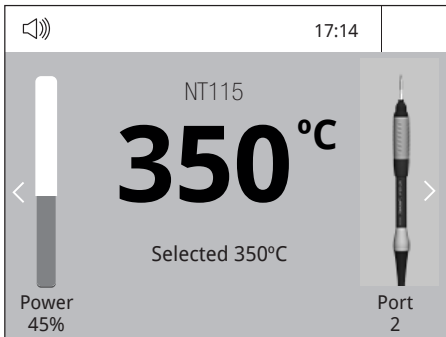
JBC's Exclusive Heating System

This revolutionary technology is able to recover tip temperature extremely quickly. This allows the user to work at a lower temperature. As a result, tip life increases by 5.

1. Work



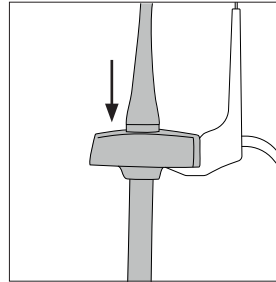
When the tool is lifted from the holder the tip will heat up to the selected temperature.



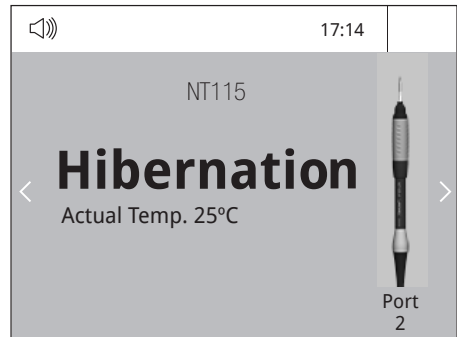
Tools Menu:

- Set temperature limits
- Set temperature levels

2. Hibernation



When the tool is in the holder, the power is cut off and the tool cools down to room temperature.



Tools Menu:

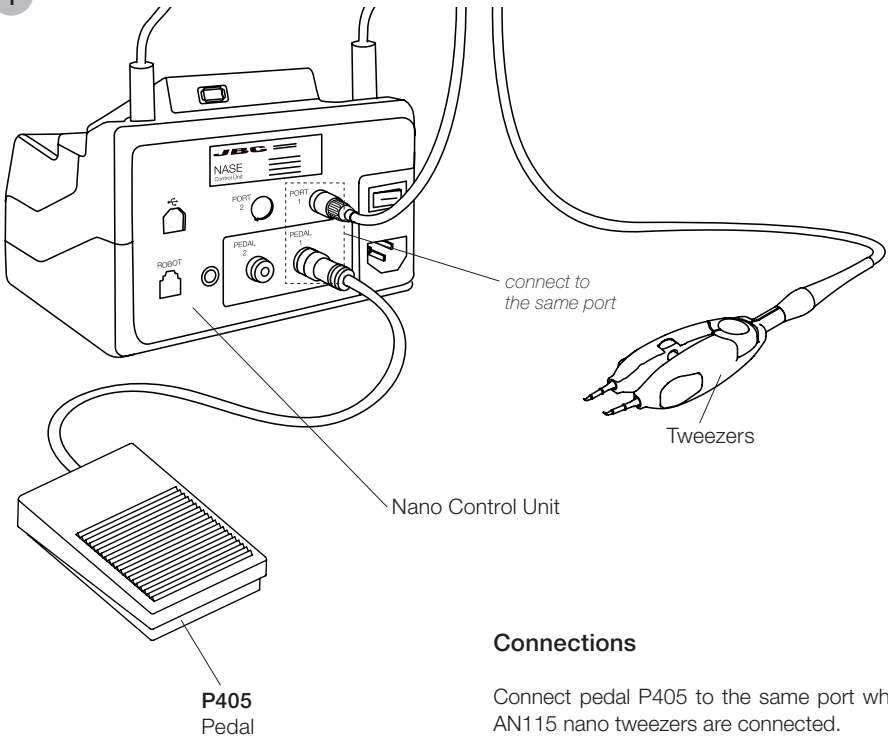
- Set Hibernation delay (from 0 to 60 min or no Hibernation)

Example: Chip Components Rework Process using Tweezers and Pedal

The Pedal is frequently used to rework components with tweezers.

AN115, JBC's Adjustable Nano Tweezers, is the most effective tool for desoldering chip components but also it facilitates its rapid placement and soldering by using P405 pedal connected to JBC's NAS station.

1

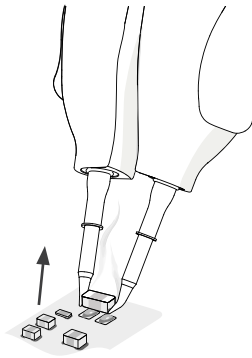


Connections

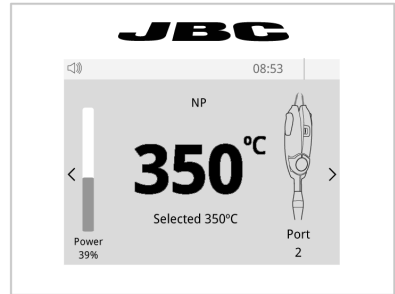
Connect pedal P405 to the same port where AN115 nano tweezers are connected.

In the peripherals menu for the "Pedal Activation Mode" choose between "pressed" and "released".

2



* "Press Mode" previously selected

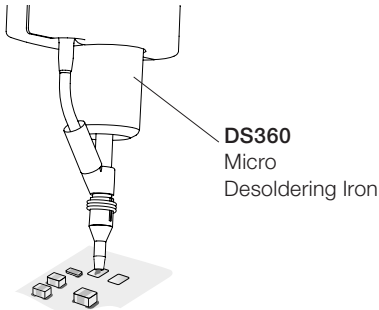


Desoldering*

Lift the tweezers from the holder, press and hold the pedal to activate the tweezers and desolder the component.

Once the pedal is released the tweezers enters in hibernation mode and cools down.

3

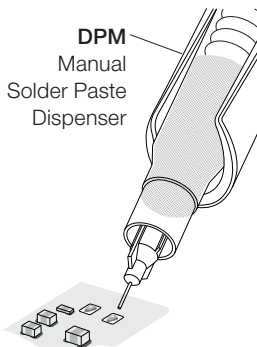


Pad Cleaning

Clean the pads with JBC's desoldering tool DS360.

For this operation JBC's desoldering station DSS is needed.

4

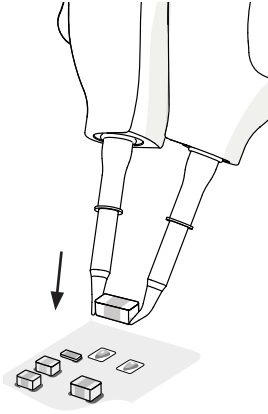


Solder Paste Dispensing

Apply the solder paste amount needed to solder the new chip component.

The use of JBC's DPM solder paste dispenser is recommended.

5



Placing

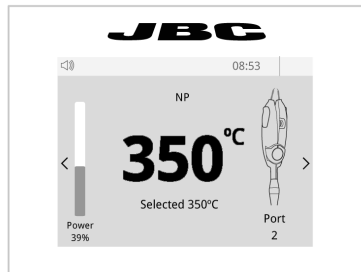
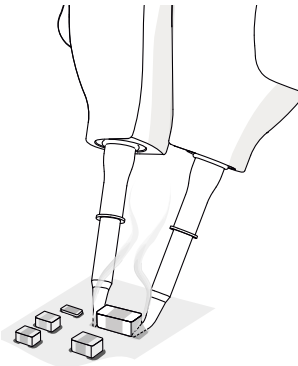
Do not press the pedal.

Use the tweezers to position the component on the previously tinned pad.

Note:

The inactive tweezers prevents the component from heating up prematurely.

6



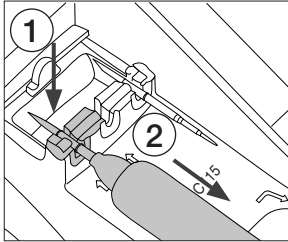
Soldering

Once in position press and hold the pedal to activate the tweezers and perform the soldering.

Changing Cartridges

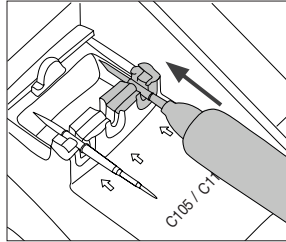
Save time and change cartridges safely without having to switch the station off.

Removing



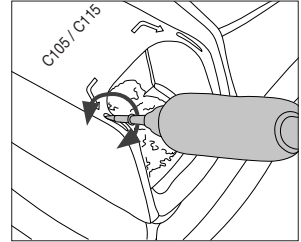
Place the cartridge into the extractor slot (1) and pull the handle to remove the cartridge (2).

Inserting



Push the new cartridge into the handle until the reference ring*.

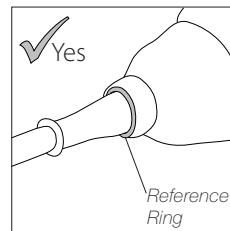
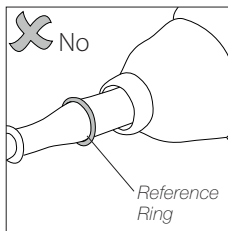
Aligning



Use the holes to rotate the cartridges for a proper alignment.

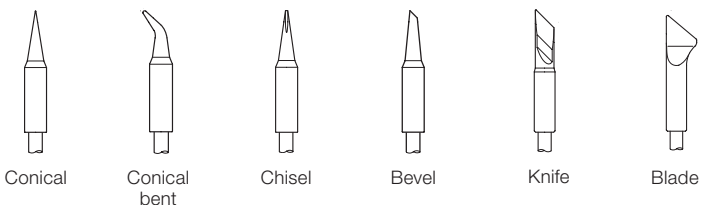
*Important

It is essential to insert the cartridges as far as the reference ring for a proper connection.



Compatible Cartridges

Nano Handle **NT115** works with **C115** cartridges. Find the model that best suits your soldering needs at www.jbctools.com



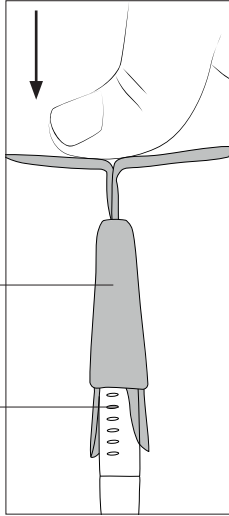
Changing Grips

1. Inserting

First put the slide-on tabs into the new grip, then push the grip with the tabs onto the handle.

Grip for NT115
Ref. N8662

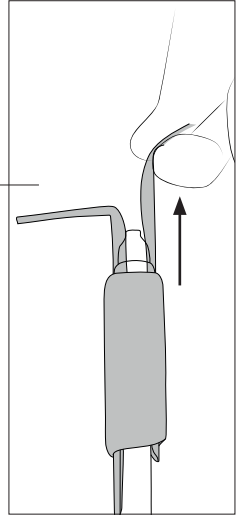
Nano Handle



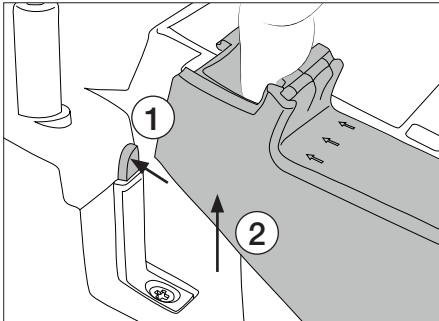
2. Removing Tabs

Hold the grip and pull the tab. Use a pliers if necessary

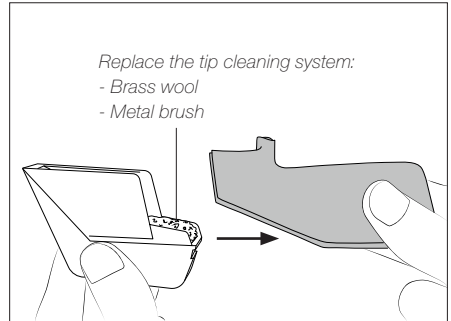
Tabs



Changing the Tip Cleaning System



Press back the tap (1) to remove the cleaning system (2).



Remove the drawer from the splashguard.

Maintenance

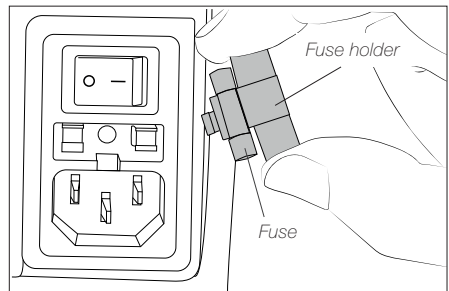
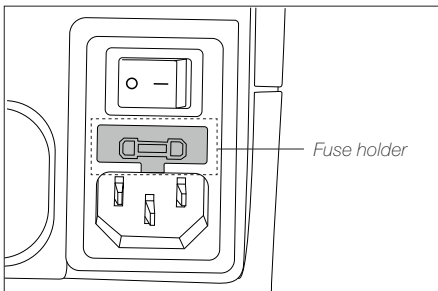
Before carrying out maintenance, always switch the device off and disconnect it from the mains. Allow the equipment to cool down.

- Clean the station screen with a glass cleaner or a damp cloth.
- Use a damp cloth to clean the casing and the tool. Alcohol can only be used to clean the metal parts.
- Periodically check that the metal parts of the tool and stand are clean so that the station can detect the tool status.
- Maintain tip surface clean and tinned prior to storage in order to avoid tip oxidation. Rusty and dirty surfaces reduce heat transfer to the solder joint.
- Periodically check all cables and tubes.
- Replace any defective or damaged pieces. Use original JBC spare parts only.
- Replace a blown fuse as follows:



1. Pull off the fuse holder and remove the fuse. If necessary use a tool to lever it off.

2. Press the new fuse into the fuse holder and replace it in the station.



- Repairs should only be performed by a JBC authorized technical service.

Safety



It is imperative to follow safety guidelines to prevent electric shock, injury, fire or explosion.

- Do not use the units for any purpose other than soldering or rework. Incorrect use may cause fire.
- The power cord must be plugged into approved bases. Be sure that it is properly grounded before use. When unplugging it, hold the plug, not the wire.
- Do not work on electrically live parts.
- The tool should be placed in the stand when not in use in order to activate the sleep mode. The soldering tip or nozzle, the metal part of the tool and the stand may still be hot even when the station is turned off. Handle with care, including when adjusting the stand position.
- Do not leave the appliance unattended when it is on.
- Do not cover the ventilation grills. Heat can cause inflammable products to ignite.
- Avoid flux coming into contact with skin or eyes to prevent irritation.
- Be careful with the fumes produced when soldering.
- Keep your workplace clean and tidy. Wear appropriate protection glasses and gloves when working to avoid personal harm.
- Utmost care must be taken with liquid tin waste which can cause burns.
- This appliance can be used by children over the age of eight and also persons with reduced physical, sensory or mental capabilities or lack of experience provided that they have been given adequate supervision or instruction concerning use of the appliance and understand the hazards involved. Children must not play with the appliance.
- Maintenance must not be carried out by children unless supervised.

Specifications

NASE

2-Tool Nano Rework Station

Ref.: **NASE-9C** 100V 50/60Hz. Input fuse: 0.5A. Output: 8.5V

Ref.: **NASE-1C** 120V 50/60Hz. Input fuse: 0.5A. Output: 8.5V

Ref.: **NASE-2C** 230V 50/60Hz. Input fuse: 0.2A. Output: 8.5V

- Output Peak Power: 14W per tool
- Temperature Range: 90 - 450 °C /190 - 840 °F
- Idle Temp. Stability (still air): $\pm 1.5^{\circ}\text{C}$ / $\pm 3^{\circ}\text{F}$ (meets and exceed IPC J-STD-001)
- Temp Accuracy: $\pm 3\%$ (using reference cartridge)
- Temp Adjustment: $\pm 50^{\circ}\text{C}$ / $\pm 90^{\circ}\text{F}$ (through station menu setting)
- Tip to Ground Voltage/Resistance: Meets and exceed
ANSI/ESD S20.20-2014 IPC J-STD-001F
- Connections: USB-A / USB-B / pedal connectors
RJ12 connector for robot
- Ambient Operating Temp: 10 - 50 °C / 50 - 122 °F
- Control Unit Dimensions: 140 x 170 x 125 mm
(L x W x H) 5.51 x 6.69 x 4.92 in
- Total Net Weight: 2.49 kg / 5.49 lb

- Total Package Dimensions/Weight: 280 x 280 x 164 mm / 2.99 kg
(L x W x H) 11.02 x 11.02 x 6.46 in / 6.59 lb

Complies with CE standards
ESD Safe

JBC

Warranty

JBC's 2 year warranty covers this equipment against all manufacturing defects, including the replacement of defective parts and labour.

Warranty does not cover product wear or misuse.

In order for the warranty to be valid, equipment must be returned, postage paid, to the dealer where it was purchased.

Get 1 extra year JBC warranty by registering here:
<https://www.jbctools.com/productregistration/>
within 30 days of purchase.



This product should not be thrown in the garbage.

In accordance with the European directive 2012/19/EU, electronic equipment at the end of its life must be collected and returned to an authorized recycling facility.



www.jbctools.com

0027139-190922